

SMP 8500 MG J

Diffuse Proximity

Standard, Photoelectric Sensors




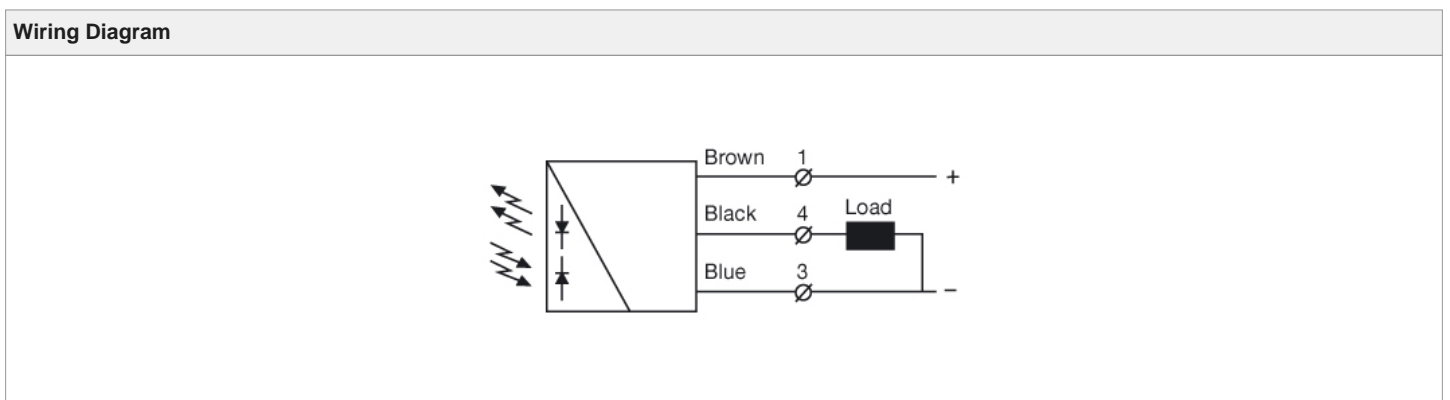
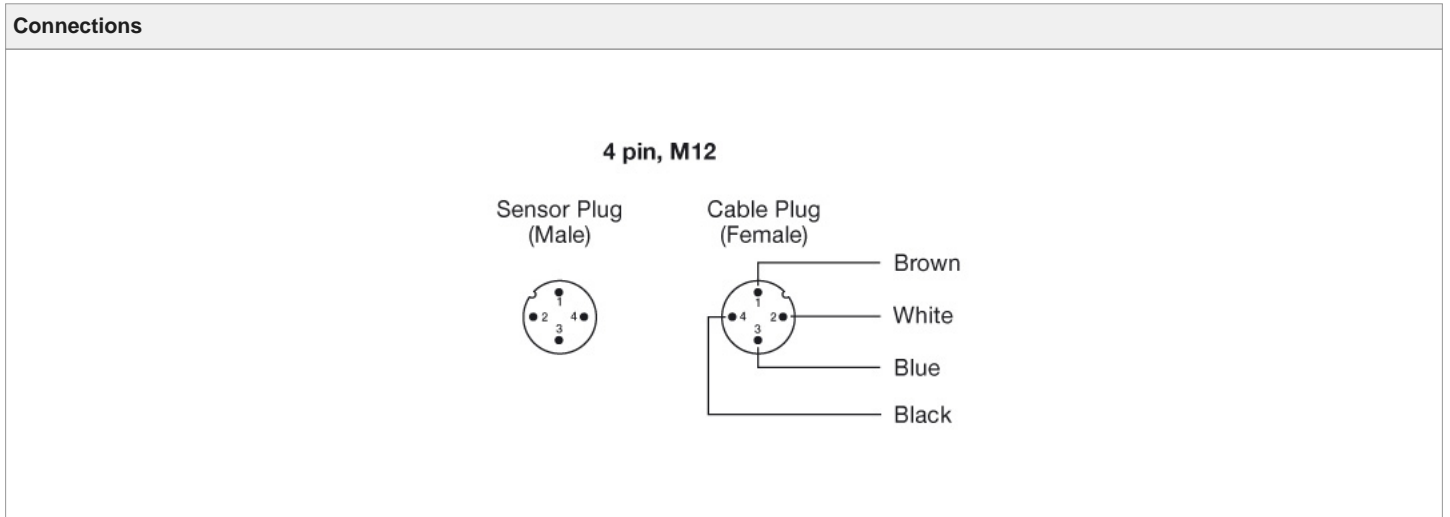
Product Data	
Supply Voltage:	10 - 30 V dc
Light Source:	Infrared (880 nm)
Housing Material:	Stainless Steel
Housing:	M18 x 1
Control Feature:	Sensitivity pot. and light/dark switch
Connection:	4 pin, M12 plug
Sensing Range:	0,5 m
Output:	PNP
Output Status:	N.C./N.O.
Operation Mode:	Diffuse Proximity

Technical Data	
Supply Voltage:	10 - 30 V dc
Voltage Ripple:	15 %
Reverse Polarity Protected:	Yes
Short Circuit Protected:	Yes
Current Consumption:	14 mA
Max. Output Load:	120 mA / 30 V dc
Max. Residual Voltage:	1,5 V
Max. Operation Frequency:	250 Hz
Power On Indicator:	Green LED
Output Indicator:	Yellow LED
Hysteresis:	Approx. 5 - 15 %
Light Source:	-
Opening Angle:	+/- 4°
Emission Angle:	-
Cable:	3 x 0,14 mm ²
Response Time ton / toff:	2 ms / 2 ms

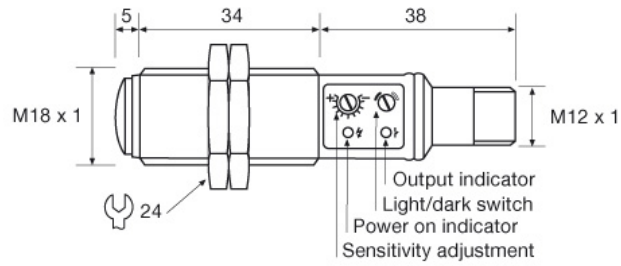
Housing Material Sensor Housing:	Stainless Steel (AISI 316 / 1.4401)
Housing Material Lens Cover:	Polycarbonate
Cable Sleeve:	PVC Ø 4,0 mm
Test Input:	-
Control Input:	-

Environmental Data	
Vibration:	10 - 55 Hz, 0,5 mm
Shock:	30 g
Operation Temperature:	-20 to +60 °C
Storage Temperature:	-40 to +80 °C
Sealing Class:	IP 67
Light Immunity 5°:	-
Light Immunity 15°:	> 40 000 lux

Approvals




Dimensions



Sensing Characteristics

Parallel Displacement

